

850-SCS-V1 Recycling Oil System



LEADING TECHNOLOGY IN WIRE ROPE APPLICATOR SYSTEMS.

Designed to Apply Oils Only
Accommodates cable sizes from:
.048" (1.2mm) --- 1.562" (39.5mm)

850 Ser. Housing



BENEFITS

- Penetrates lubricant into the strands of the wire rope.
- Eliminates lubricant dripping and fling-off, by air wiping the cable.
- Removes trapped moisture and detrimental particles.
- Continuously circulates & filters oil under pressure.
- Quick to rig up.
- Easy to Operate.

There is no other cable oiling system that can circulate oil under pressure other than the CoreLube (850 Ser.) system.

Oil penetration between the wires that make up the strands is imperative in reducing friction & corrosion.

Circulating a high volume of oil around the wire rope not only promotes penetration but also cleans by carrying off the contaminants.

The kinetic air energy behind the patented air seals, sets the 850 Ser. apart from all others cable oiling devices.



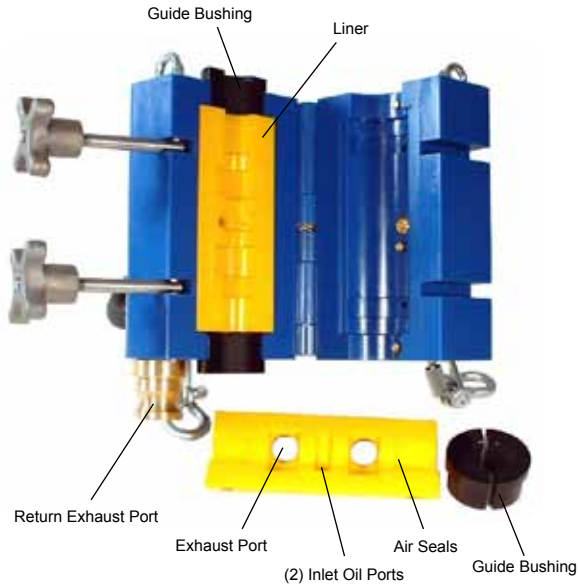
The complete 850 Ser. system shown with 1 Liner & 1 Bushing.



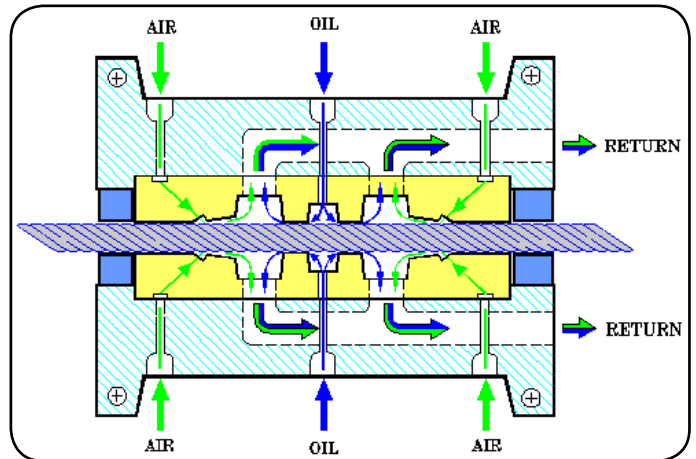
850-SCS-V1 Recycling Oil System



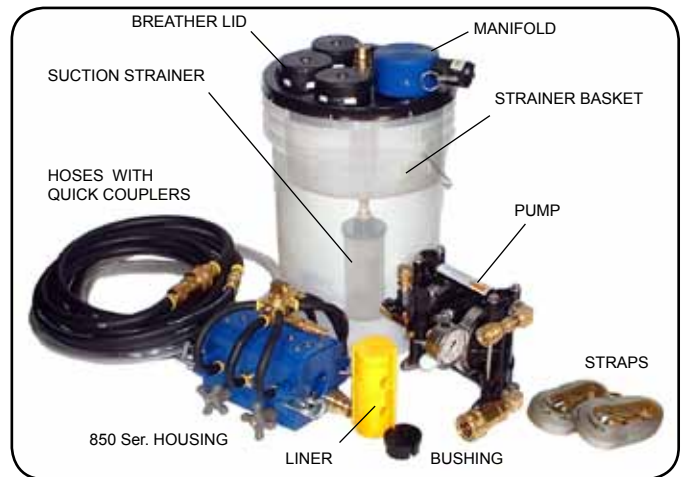
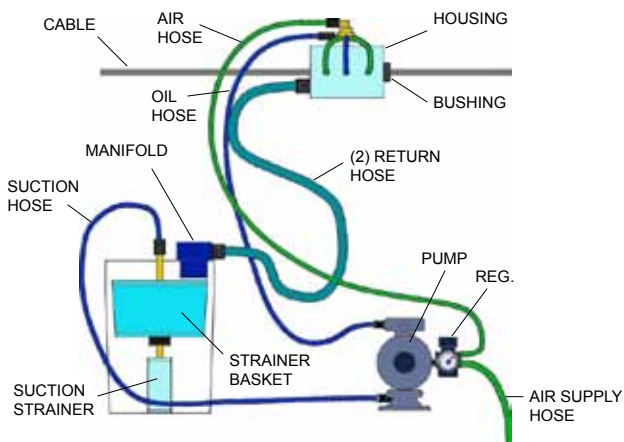
LEADING TECHNOLOGY IN WIRE ROPE APPLICATOR SYSTEMS.



Oil & Air Flow Drawing

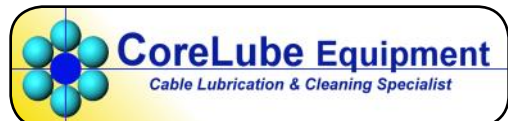


CoreLube Equipment's patented Air-Seals ensures that the lubricant remains within the housing, preventing wastage and environmental contamination.



Comments From Customers

- Wire rope grease fling-off has virtually been eliminated.
- CoreLube performed as advertised.
- The other grease lubricating systems were messy and trapped moisture internally.
- The CoreLube System penetrated the wire rope rapidly with lubricant and removed most of the moisture internally and externally without a mess.
- The maintenance crews found the CoreLube System clean, neater and faster over all other systems.



Phone: 403-529-9645 Fax: 403-527-1369
E-mail: sales@corelube.com
Web: www.corelube.com