

A-1200 CORELUBE Recirculating Grease System



Phone: 403-529-9645 Fax: 403-527-1369
WWW.CORELUBE.COM

LEADING TECHNOLOGY IN WIRE ROPE APPLICATOR SYSTEMS.

Accommodates Wire Rope Sizes From: 3.0mm to 40.0mm

The *New* Circulating Grease Collar, designed to apply NLGI #0, #1, #2 grease.

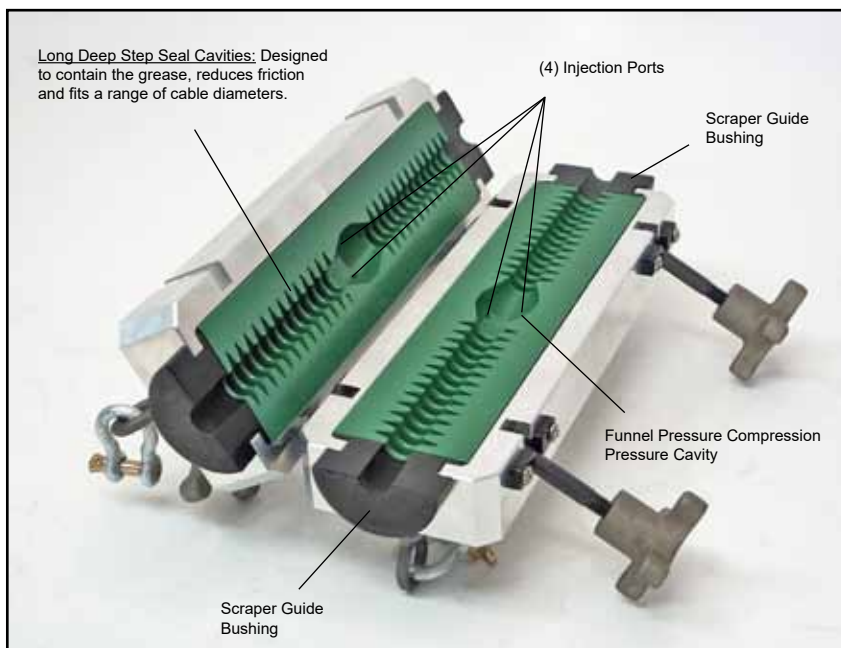
ADVANTAGES:

- Eliminates over-pumping mess by continuously circulating clean unused grease back to the drum.
- Eliminates the need for continuously adjusted pump output volume.
- The re-circulating feature works well, especially on small cables & slow-moving wire ropes.
- Circulating feature reduces lubricant wastage.
- Four to six grease injector ports ensure an even cable coverage.
- Lightweight solid heavy-duty aluminum collar.
- Handle grips incorporated into the collar.
- Scraper guide bushings install without tools and are machined to the cable diameter.
- The bushings extend the life of the seals and function as a thrust bearing for our custom made wire rope groove cleaners.
- The collars fit between narrow rope spaces.

NEW Circulating Grease Collar



Accommodates Wire Rope Diameters From:
3.0mm - 40.0mm (0.118" - 1.575")
Collar Size:
292.0mm x 100.3mm x 100.3mm
(11.5" x 3.95" x 3.95")
Collar Weight:
5.0kg (11.0 lbs)



The New grease collars continuously circulate grease around the wire rope through 4 to 6 injection ports. The internal pressure can be controlled at all times. This ensures good penetration and even coverage. The excess clean grease is returned back to the container for recycling, this completely eliminates a mess from over pumping.

A-1200 CORELUBE Recirculating Grease System



Phone: 403-529-9645 Fax: 403-527-1369
WWW.CORELUBE.COM

LEADING TECHNOLOGY IN WIRE ROPE APPLICATOR SYSTEMS.

Accommodates Wire Rope Sizes From: 3.0mm to 40.0mm

3 Pump Sizes Available

LB3 Grease Pump - Fits: 35 lb. (16-20 Kg) Pail

LB4 Grease Pump - Fits: 120 lb. (55 Kg) Drum

LB6 Grease Pump - Fits: 400 lb. (180 Kg) Drum

The only difference between the grease pumps is the tube length,
lid size & follower plate size for the 3 container sizes.



(LB3) Grease Pump
Fits: 35 lb. Pail

(LB4) Grease Pump
Fits: 120 lb. Drum

(LB6) Grease Pump
Fits: 400 lb. Drum

Select a pump size that fits your drum.
(LB3) (LB4) (LB6)

The air-operated grease pumps are designed to pump grease not oils.

Grease Grades: NLGI #0, #1, #2

High volume grease pumps:

- Large 4 1/4" Air Motor 50:1 Grease Pump.
- High Pressure Output: 396 bar (5750 psi)
- High Volume Output: 2.97 kgs /min. (6.55 lbs /min.)

Approximate air consumption: @70 psi (4.8 bar) = 19 cfm (0.5 cubic meters/min.)

A-1200 CORELUBE Recirculating Grease System



Phone: 403-529-9645 Fax: 403-527-1369
WWW.CORELUBE.COM

LEADING TECHNOLOGY IN WIRE ROPE APPLICATOR SYSTEMS.

Accommodates Wire Rope Sizes From: 3.0mm to 40.0mm



A-1200-LB3 Grease System

A-1200-LB3 System Includes:

- (1) A-1200 Aluminum Collar fits: 3.0mm to 40.0mm Wire Ropes
- (1) 50:1 Pump Fits: 16-20 kg Drums
- (1) Custom Drum Cover Fits: 16-20 kg Drums #31903-FP
- (1) Seal Set (Any Size see list)
- (1) Scraper Bushing Set (Any Size see list)
- (4) Shackles
- (2) Tie-Down Straps
- (1) Hyd. Supply Hose with Quick Couplings
- (1) Recirculating Return Hose with Quick Couplings
- (1) Air Regulator / Oiler with Gauge & Valve
- (1) High Pressure Discharge Valve 10,000 PSI
- (1) Custom Follower Plate #41922-FP
- (1) Return Line Valve Gauge Kit
- (1) Manual, Parts List, Seal Size List

A-1200-LB3 Grease System

Optional Groove Cleaners



HELIX GROOVE CLEANER TYPES AVAILABLE:

- Diameter Ranges: 3.0 mm -- 40.0mm
- Number of Outer Strands: 3 -- 18
- Round, Triangular, Swaged & Hyfil K8 Wire Ropes



Optional Remote Control Flow Control Valve Units.
Operate multiple pumps from a hand-held RF control.



Optional Case



Optional Thrust Block

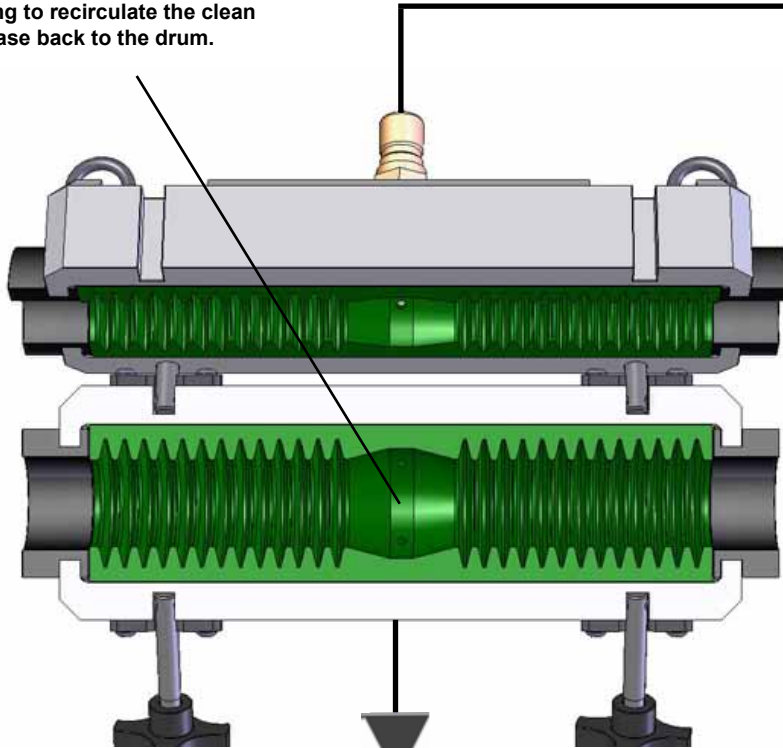
A-1200 Grease Flow Chart



Phone: 403-529-9645 Fax: 403-527-1369
WWW.CORELUBE.COM

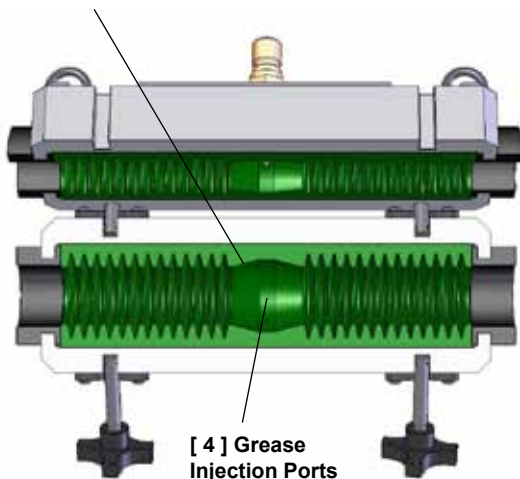
LEADING TECHNOLOGY IN WIRE ROPE APPLICATOR SYSTEMS.

[4] Grease Injection Ports with Channel Ring to recirculate the clean unused grease back to the drum.

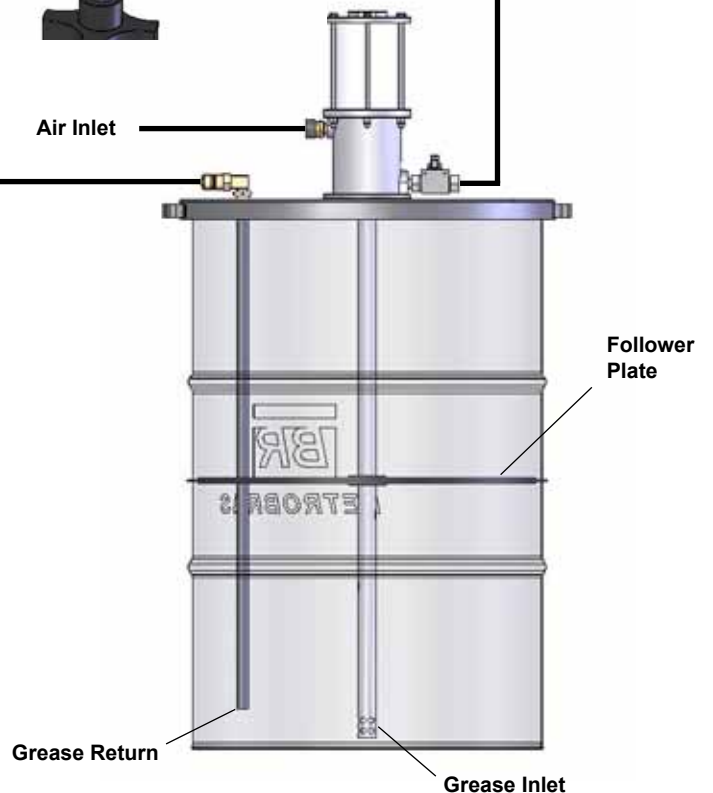


Air Inlet

Tapered Packing Gland greatly improves grease penetration in to the cable.



[4] Grease Injection Ports



Follower Plate

Grease Return

Grease Inlet