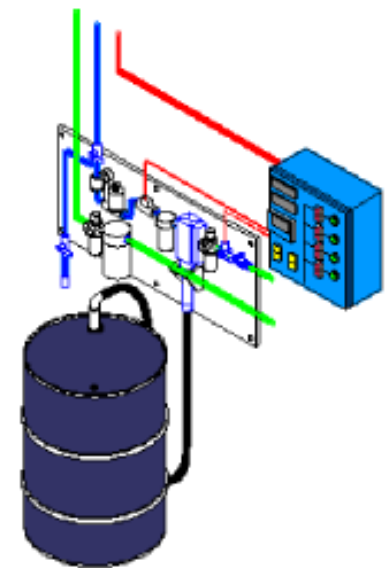
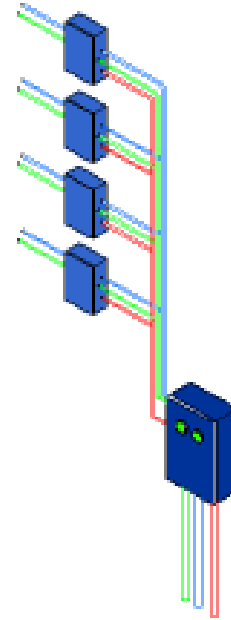
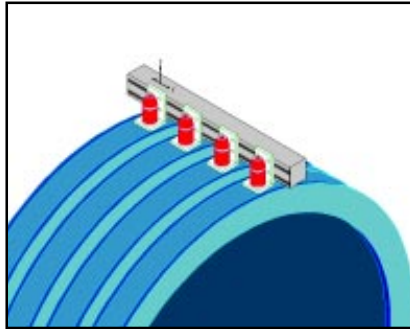


Automatic Wire Rope Spray Systems

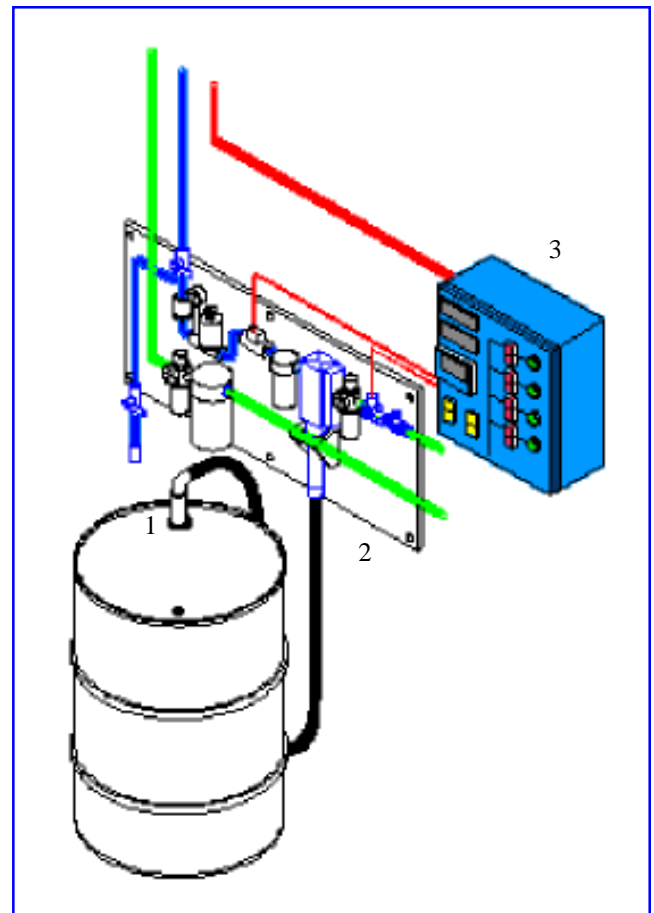
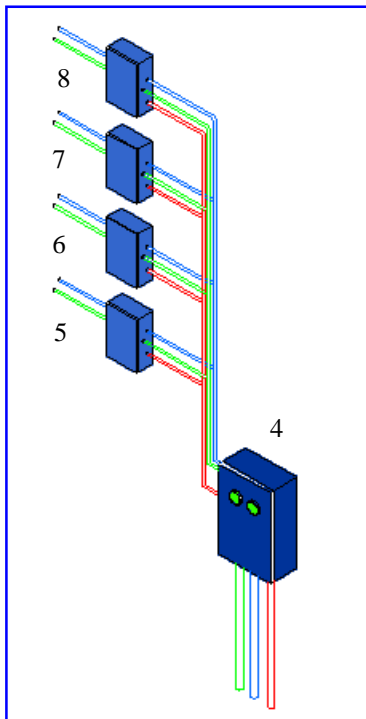
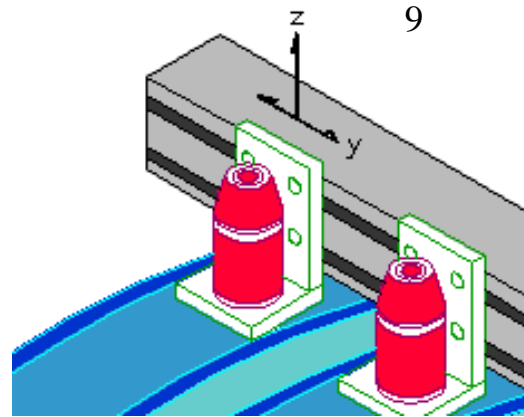


Mfg. CoreLube Equipment
Tel. (403) 529-9645 Fax (403) 527-1369
E-Mail: corelube@telusplanet.net

Automatic Wire Rope Spray Systems

General Setup:

- Each spray nozzle deliver a precise volume of lubricant (based on the wire rope speed).
- The spray system is modular in design to keep the installation time to a minimum.



Components List:

- 1 Removable suction tube for quick drum transfers.
- 2 Panel mounted pump and flow equipment.
- 3 Panel mounted digital controls.
- 4 Main Manifold Panel flow equipment & transmitters.
- 5 Auxiliary Manifold & flow equipment.
- 6 Auxiliary Manifold & flow equipment.
- 7 Auxiliary Manifold & flow equipment.
- 8 Main Manifold & flow equipment.
- 9 Spray nozzles & hardware.